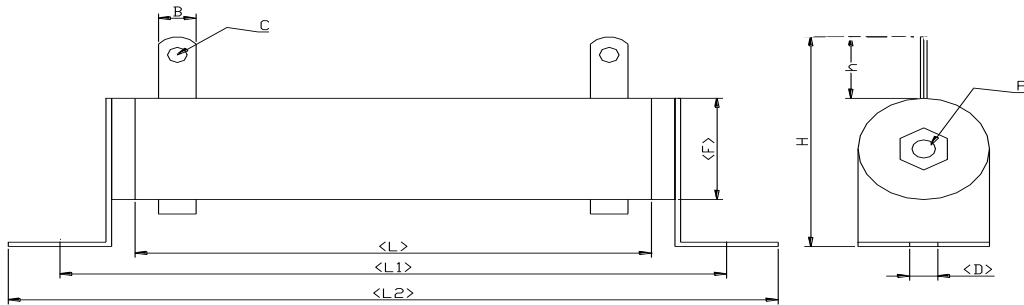


# 電力型不燃性固定線繞電阻器

Non-Flammable Fixed Wire-Wound Power Resistor



| RATED<br>規格<br>WATTS | D TYPE DIMENSIONS 寸法(m/m) |    |    |     |          |    |     |     |     |          | 備註       |
|----------------------|---------------------------|----|----|-----|----------|----|-----|-----|-----|----------|----------|
|                      | L                         | F  | B  | L1  | C $\phi$ | h  | D   | L2  | H   | P        | 阻值範圍     |
| 10W                  | 45                        | 12 | 4  |     | 2        | 9  | 3.5 | 65  |     |          | 0.1-5K   |
| 20W                  | 60                        | 17 | 5  | 73  | 2.5      | 12 | 3.5 | 96  | 37  | 單 M3X81  | 0.1-6K   |
| 30W                  | 80                        | 17 | 5  | 93  | 2.5      | 12 | 3.5 | 112 | 37  | 單 M3X100 | 0.1-7K   |
| 40W                  | 110                       | 17 | 5  | 123 | 2.5      | 12 | 3.5 | 142 | 37  | 單 M5X135 | 0.1-10K  |
| 50W                  | 110                       | 25 | 8  | 140 | 5        | 18 | 6   | 164 | 58  | 單 M5X135 | 0.1-15K  |
| 60W                  | 90                        | 28 | 8  | 120 | 5        | 18 | 6   | 144 | 60  | 單 M5X115 | 0.1-20K  |
| 80W                  | 110                       | 28 | 8  | 140 | 5        | 18 | 6   | 164 | 60  | 單 M5X135 | 0.1-25K  |
| 100W                 | 140                       | 28 | 8  | 170 | 5        | 18 | 6   | 194 | 60  | 單 M5X165 | 0.1-30K  |
| 120W                 | 160                       | 28 | 8  | 195 | 5        | 18 | 6   | 215 | 60  | 單 M5X195 | 0.1-35K  |
| 150W                 | 195                       | 28 | 8  | 225 | 5        | 18 | 6   | 244 | 60  | 雙 M5X220 | 0.1-40K  |
| 160W                 | 185                       | 35 | 8  | 222 | 5        | 18 | 9   | 248 | 75  | 單 M5X210 | 0.1-45K  |
| 200W                 | 210                       | 35 | 8  | 247 | 5        | 18 | 9   | 268 | 75  | 雙 M5X235 | 0.1-50K  |
| 250W                 | 210                       | 40 | 10 | 250 | 5        | 22 | 9   | 277 | 77  | 雙 M5X235 | 0.1-60K  |
| 300W                 | 260                       | 40 | 10 | 300 | 5        | 22 | 9   | 327 | 77  | 雙 M5X295 | 0.1-70K  |
| 350W                 | 300                       | 40 | 10 | 340 | 5        | 22 | 9   | 367 | 77  | 雙 M5X300 | 0.1-75K  |
| 400W                 | 330                       | 40 | 10 | 370 | 5        | 22 | 9   | 400 | 77  | 雙 M5X365 | 0.1-80K  |
| 500W                 | 330                       | 50 | 12 | 370 | 6        | 22 | 10  | 400 | 105 | 雙 M5X365 | 0.1-90K  |
| 600W                 | 400                       | 50 | 12 | 440 | 6        | 22 | 10  | 470 | 105 | 雙 M5X440 | 0.5-100K |
| 700W                 | 460                       | 50 | 12 | 500 | 6        | 22 | 10  | 530 | 105 | 雙 M5X495 | 0.5-110K |
| 800W                 | 460                       | 60 | 15 | 505 | 6        | 30 | 10  | 535 | 112 | 雙 M5X495 | 0.5-120K |
| 1000W                | 540                       | 60 | 15 | 580 | 6        | 30 | 10  | 610 | 112 | 雙 M6X590 | 0.5-130K |
| 1200W                | 540                       | 65 | 15 | 580 | 6        | 30 | 10  | 610 | 112 | 雙 M6X590 | 0.5-140K |
| 1300W                | 650                       | 65 | 15 | 690 | 6        | 30 | 10  | 720 | 115 | 雙 M6X690 | 0.5-150K |

福緯企業有限公司

T:(02)2272-9800

F:(02)2967-5300